

HMIDT75X

Harmony GTUX Series eXtreme Display 15.0-inch Wide, Outdoor use, Rugged, Coated

Product availability: Non-Stock - Not normally stocked in distribution facility

Price*: 3850.00 USD



Main

Range of product	Harmony GTUX
Product or Component Type	EXtreme touchscreen panel
Terminal type	Touchscreen display

Complementary

Pixel resolution	1366 x 768
Touchscreen resolution	1024 x 1024
[Us] rated supply voltage	12...24 V DC power supply
Supply voltage limits	10.8...28.8 V
Power Consumption in W	12.5 W
Display size	15.6 inch
Display type	Colour TFT LCD
Display Resolution	1366 x 768 pixels FWXGA
Display colour	262144 colors
Luminance	92.90 Fc (1000 cd/m ²)
Backlight lifespan	50000 hours
Touch panel	Single touch analogue resistive
Type of Installation	Outdoor
Type of cooling	Natural convection
Inrush current	30 A
Environmental characteristic	Corrosive gas free UV resistant
Cut-out dimensions	394 (+ 1/- 0) x 250 (+ 1/- 0) mm
Width	16.06 In (408 mm)
Height	10.39 In (264 mm)
Depth	2.68 In (68 mm)
Product Weight	10.58 Lb(US) (4.8 kg)

Environment

IP degree of protection	IP66f IP67f Front panel Type 4X
Standards	UL 508 ANSI/ISA 12-12-01 Class I division 2 CSA C22.2 No 213 CSA C22.2 No 142 IEC 61132-2
Product Certifications	KC CE RCM cULus
Ambient air temperature for operation	-4...140 °F (-20...60 °C) EN 61131-2
Ambient air temperature for storage	-4...140 °F (-20...60 °C)
Pollution degree	2
Relative Humidity	10...90 % non-condensing
Operating altitude	6561.68 ft (2000 m)
Vibration resistance	7 mm constant amplitude 5...9 Hz) EN/IEC 61131-2 9.8 m/s ² 9...150 Hz) EN/IEC 61131-2
Shock resistance	147 m/s ² conforming to EN/IEC 61131-2
Electromagnetic compatibility	Electrostatic discharge immunity testlevel 3 EN/IEC 61000-4-2
Environmental characteristic	Corrosive gas free UV resistant

Ordering and shipping details

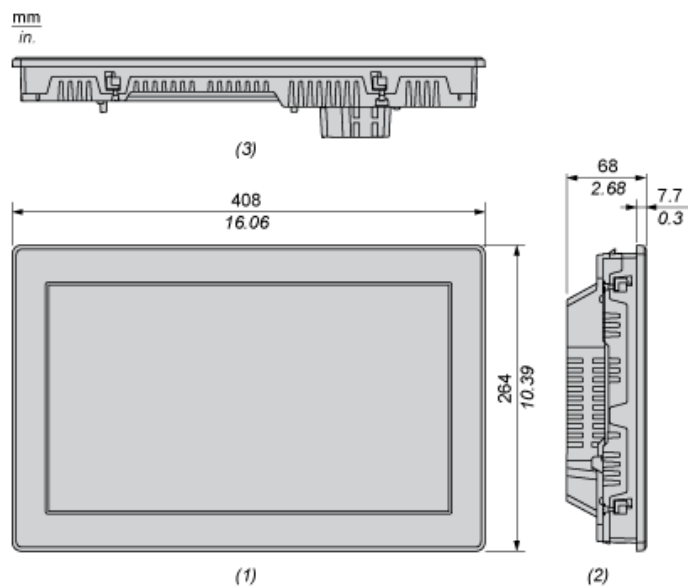
Category	22567 - MAGELIS HMI GTU
Discount Schedule	MC2
GTIN	3606489747961
Nbr. of units in pkg.	1
Package weight(Lbs)	14.64 Lb(US) (6.642 kg)
Returnability	Yes
Country of origin	CN

Packing Units

Unit Type of Package 1	PCE
Package 1 Height	17.52 In (44.5 cm)
Package 1 width	7.28 In (18.5 cm)
Package 1 Length	21.26 In (54 cm)

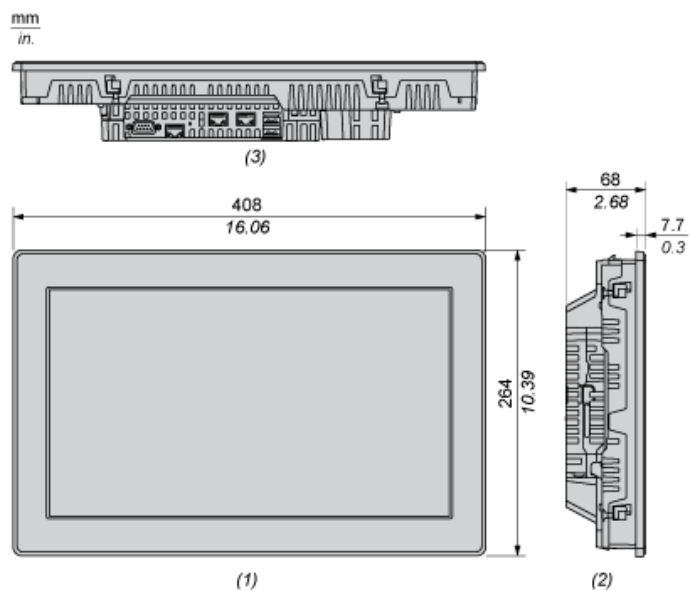
External Dimensions

Display Unit



- 1 : Front
- 2 : Left
- 3 : Bottom

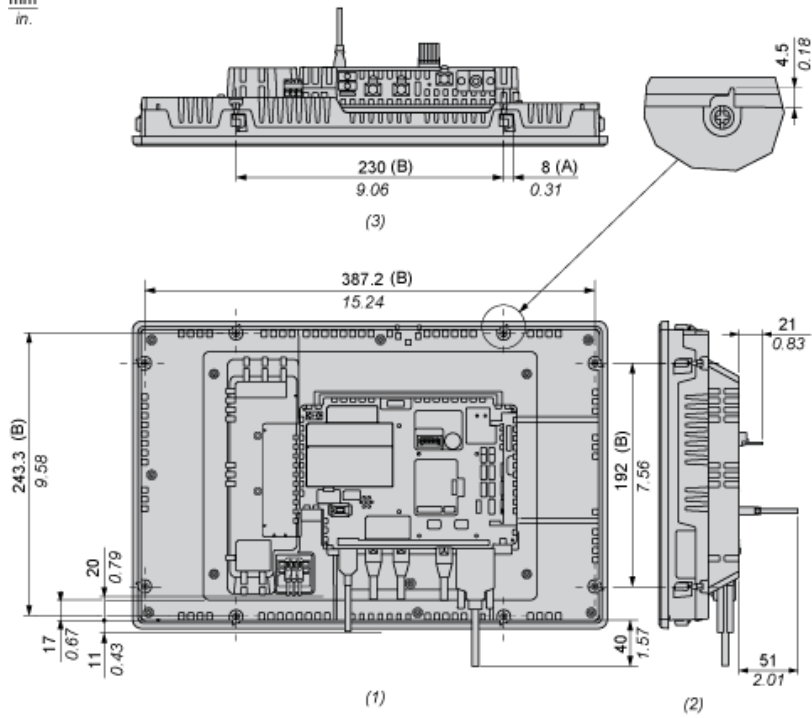
Display Unit with Box Module



- 1 : Front
- 2 : Left
- 3 : Bottom

Dimensions with Cables

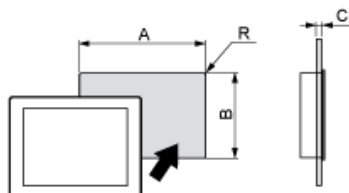
mm
in.



- (A) : Rotation area of the fastener
- (B) : Pitch of the enter of installation fastener screws
- 1 : Rear
- 2 : Right
- 3 : Bottom

Mounting and Clearance

Panel Cut Dimensions



Dimensions in mm

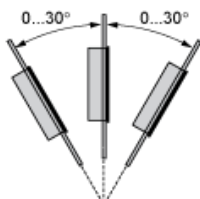
A	B	C	R
394 (+1/-0)	250 (+1/-0)	1.6...5	3 max.

Dimensions in in.

A	B	C	R
15.51 (+0.04/-0)	9.84 (+0.04/-0)	0.06...0.2	0.12 max.

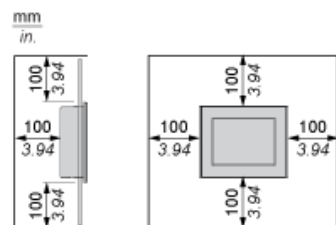
Installation Requirements

Mounting Angle



When installing this product in a slanted position, the product face should not incline more that 30°.

Clearance



Product Life Status : **Commercialised**